



CHANGSHA HIMALAYA
MUSIC FOUNTAIN EQUIPMENT CO., LTD.

FOUNTAIN PRODUCTS



1-High Jet Nozzle



Item Name	SPECIFICATION TEX.		(MPa)	WATER VOLUME (M3/H)	HEIGHT(M)	Specification
	(mm)	Inch				
Central High Jet	80	3"	50~250	8~12	0~50	Straight flow structure Stainless steel 304 material with polished finish With built-in water flow stablizer Direction can be adjusted by 15 degrees with set-in ball-joint
	100	4"			0~70	
	150	5"			0~120	

High Jet Nozzle is frequently used in the central part of pools as the main nozzle, while it can also be adjusted to jet across the pool, like a rainbow.



2-Chasing Jets



Item Name	SPECIFICATION TEX.		(MPa)	WATER VOLUME (m3/h)	HEIGHT	COVERING AREA	ADJUSTABLE WATER PATTERNS
	(mm)	Inch					
Chasing Jets	DN10	0.3"	50-100	0.1-0.5	1-3	Straight Jet	Water Curtain Crown Fan Arch Flower Central Jet
	DN15	0.4"	50-150	0.3-1.5	1-4		
	DN20	0.6"	50-150	1-3	1-5		
	DN25	1"	50-150	2-4	3-6		
	DN40	1.5"	50-150	3-6	3-15		
	DN50	2"	50-200	5-8	3-30		
	DN65	2.5"	50-200	6-10	4-39		

Adjustable current Nozzle is a versatile one: the direction can be adjusted both vertically and horizontally. In combination with height control from water-pressure and investors, adjustable current nozzles in groups can be made into various patterns.



CNC DIGITAL SWING NOZZLE(2D)



Technical Parameter

Material	304 (stainless steel 304)
Connector Size	G1 ½" G2"
DN	40 50
Install mode	Vertical
movement	Rotate or swing
working medium	Water
Ratio between angle and input pluse	360° / 5800P
Motor	7.25 (rotate 7.25cycles)
Nozzle	1 3600 (rotate 1 cycle)
Positional accuracy	0.5°
Maximum pressure	0.3 M pa
Total Weight	About 12.5 kg
Environment	0-40 °c
Water Temperature	0-40 °c
Voltage	53 ± 10% VAC (55VDC, 70VAC is suggested)
drive mode	Precision stepper motor
control mode	Digital pulse type
Control pulse voltage	5VDC
Control pulse Width	>10 μ S,
Protection class	Ip68
Insulation class	B

CNC swing nozzle is a device that precisely transform the digital pulse signal sent out by the control system into the installation by the specialized precision mechanism, which can make the nozzle swing, rotate at a certain angle. The movement angle and speed of CNC swing nozzle can be controlled by the digital control system. CNC swing nozzle has the advantages of large output torque, digital control system, precise movement, which is mainly suitable for waterscape of music fountain.



CNC DIGITAL SWING NOZZLE(3D)



Technical Parameter

Material	304 (stainless steel 304)
Connector Size	G2.5", G2" (external thread)
DN	65/50
Install mode	Vertical
movement	Rotate or swing
working medium	Water
Angle of ration	360° +A (A is any angle)
Angle of oscillation	360° +A (A is any angle)
Motor	7.25, 360°(rotate 7.25cycle, Swing 360°)
Motor	7.25, 360°(rotate 7.25cycle, Swing 360°)
Positional accuracy	0.5°
Maximum pressure	0.3 Mpa
Total Weight	About 60kg
Environment	0-40 °c
Water Temperature	0-40 °c
Voltage	53 ± 10% VAC (55VAC)
drive mode	(Precision stepper motor)
control mode	(Digital pulse type)
Control pulse voltage	5VDC
Control pulse Width	>10 μ S,
Protection class	Ip68 (≤1*diving depth ≤1 meter)
Insulation class	B

CNC swing nozzle is a device that precisely transform the digital pulse signal sent out by the control system into the installation by the specilized precision mechanism, which can make the nozzle swing, rotate at a certain angle. The movement angle and speed of CNC swing nozzle can be controlled by the digital control system. CNC swing nozzle has the advantages of large output torque, digital control system, precise movement, which is mainly suitable for waterscape of music fountain.



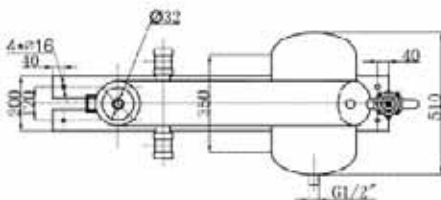
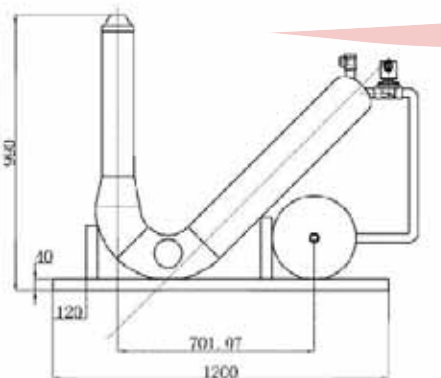
GAS NOZZLE



Technical Parameter

Material	304 (stainless steel 304)
Voltage	220V
Power	25W
Maximum pressure	1.0Mpa
Height	About 20m~60m
Inlet	ø 50*2
Outler	ø 28 ø 32 ø 40
tatal weight	35KG

Gas nozzle from air compressor quickly filled the airbag through gas reservoir and pipe. The gas valve opens after being energized, then water quickly ejects through gimbaled nozzle, spray speed is up to 20 times per second. The valve can be controlled by computer, forming running fountain and jumping fountain.





MAGICAL VARIO JET



Item Name	SPECIFICATION TEX.		(MPa)	WATER VOLUME (m3/h)	HEIGHT	COVERING AREA	ADJUSTABLE WATER PATTERNS
	(mm)	Inch					
Magical Vario Jet	DN40	1.5"	50-200	30	3.2	2.5	One nozzle equipped with two pumps, which allows two water patterns changing freely with one nozzle
	DN50	2"	50-300	35	3.5	3	

Vario Jet nozzle is based on the combination of variable speed and sound control frequency, the spray height and range both are adjusted with the rhythm during the fountain show, just like an elegant lady dancing with music on the water, beautiful and interesting.



FIRE BALL



Material	Install Mode	Spray Height	Fire Ball Diameter	Nozzle Diameter	Outlet Diameter	Pressure	Fuel
Stainless steel 304	Vertical	4-6M	1M	2mm	DN200mm	4.5MPa	LPG or Alcohol based fuel

The principle of the fire ball fountain is to crush the gas fuel to a high altitude through a special device to produce a violent explosion, forming a large, beautiful round fireball with dazzling light and thick sound. It normally has got two kinds of fuels, LPG and Alcohol—based fuel, which is safe and convenient for use.



FIRE ON WATER



Material	Install Mode	Spray Height	Nozzle Diameter	Pressure	Fuel
Stainless steel 304	Vertical	4-5M	DN 150mm	0.6 MPa	LPG or Alcohol based fuel

Fire on water is one of the most special fountain features in fountain performance. You can apply the fire to express the beauty of fountain when integrated with the water features. Also, this kind of flame mixed with water fountain shows the coexistence of fire between water and the harmony of the nature. The Fire Jet is made up with the flamethrower, electronic ignition system, control system and so on. You can take either NG or LPG as fuel, safe and convenient.



3-LAYER FLOWER – BASKET NOZZEL



Item Name	SPECIFICATION TEX.		(MPa)	WATER VOLUME (M3/H)	HEIGHT	COVERING AREA	ADJUSTABLE WATER PATTERNS
	(mm)	Inch					
3-LAYER FLOWER – BASKET NOZZLE	DN25	1"	20	12	2.3	2.3	Flower-basket shapes
	DN40	1.5"	50	18	2.5	2.5	

It is made up of a central nozzle and two layers of adjustable current nozzles. The actual effect will have a water column in the middle and radial water lines around. In combination with LED colored lighting. It can form magnificent flower-basket shapes.



Bubbling Nozzle



Item Name	SPECIFICATION TEX.		(MPa/10)	WATER VOLUME (m3/h)	HEIGHT	COVERING AREA	ADJUSTABLE WATER PATTERNS
	(mm)	Inch					
Bubbling Nozzle	25	1"	50-100	3.5-8	0.3-0.5	0.2-0.4	Bubbling Shape
	40	1.5"	50-100	10-18	0.4-0.8	0.3-0.5	
	50	2"	60-150	17-25	0.4-0.8	0.3-0.6	

Bubbling Nozzle makes considerable bulbing sounds, which can add to the watering atmosphere of music fountain. The effect shape is like white column.



CENTRAL GROUP NOZZLE



Item Name	SPECIFICATION TEX.		(MPa)	WATER VOLUME (M3/H)	HEIGHT	COVERING AREA	ADJUSTABLE WATER PATTERNS
	(mm)	Inch					
CENTRAL GROUP NOZZLE	DN25	1"	50-100	25-35	2-10	1-1.5	Big Water Columns
	DN40	1.5"	50-100	25-35	5-10	1-1.5	
	DN50	2"	100-150	30-40	8-10	1-1.5	
	DN65	2.5"	100-150	40-50	8-12	1.5-3.5	
	DN80	3"	150-200	50-60	12-15	2-4	

7-12 Adjustable current Nozzles are installed to this type. When used as the central nozzle, the water effect is high and the water column is big. And it has very sensitive reaction the inverter-controlled pumps.



CRYSTAL BULB NOZZLE

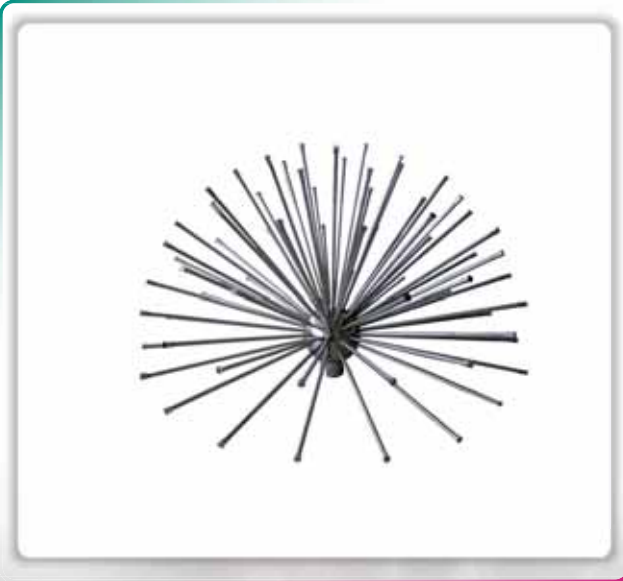


Item Name	SPECIFICATION TEX.		(MPa)	WATER VOLUME (M3/H)	HEIGHT	ADJUSTABLE WATER PATTERNS
	(mm)	Inch				
CRYSTAL BULB NOZZLE	DN15	0.4"	60-100	2-4	0.5-2	High and low water spray effects and can rotate at 15 degrees
	DN20	0.6"	80-100	4-9	1-3	
	DN25	1"	180-250	8-15	1.5-4	
	DN40	1.5"	250-290	15-20	2-5	
	DN50	2"	260-310	16-22	2.5-6.5	

Crystal Bulb Nozzle, Water column with bulbs inside, looks marvelous in the sunshine. It' s usually used in combination with water curtain, water bridge and Flower patterns.



DANDELION NOZZLE



Item Name	SPECIFICATION TEX.		(MPa)	WATER VOLUME (M3/H)	HEIGHT	ADJUSTABLE WATER PATTERNS
	(mm)	Inch				
DANDELION NOZZLE	25	1"	60-100	8	0.5-2	Dandelion Shape
	40	1.5"	80-100	10	1-3	
	50	2"	80-100	13	1.5-4	
	80	3"	80-100	30	2-5 2.5-6.5	

Dandelion Nozzle is globe with radial branch pipes attached. The fog effect can be adjusted by the lid on each branch pipe. This Nozzle is supposed to be used only in waters without much impurities.



FAN NOZZLE



Item Name	SPECIFICATION TEX.		(MPa)	WATER VOLUME (M3/H)	HEIGHT	ADJUSTABLE WATER PATTERNS
	(mm)	Inch				
FAN NOZZLE	20	0.6"	30-50	2-3	0.4-0.8	Fan Shape Can rotate at 10 degrees Can be used alone or in combination.
	25	1"	30-80	4-8	0.6-1.2	
	40	1.5"	30-80	10-18	0.8-1.5	
	50	2"	30-80	10-20	0.5-1.5	

Fan Nozzle is good for pools both outdoors and indoors. Covering area and the Spraying angle can be adjusted.



JELLYFISH NOZZLE



Item Name	SPECIFICATION TEX.		(MPa)	WATER VOLUME (M3/H)	HEIGHT	ADJUSTABLE WATER PATTERNS
	(mm)	Inch				
JELLYFISH NOZZLE	25	1"	30-50	2	0.3	Jellyfish Shape Mushroom Shape
	40	1.5"	40-50	3	0.4	
	50	2"	40-70	4	0.5	
	65	2.5"	40-100	8	0.7	

Jellyfish Nozzle and Trumpet Nozzle have even water film, elegant pattern and little noise. It is usually used in indoor projects or yard pools. Both these two types can only withstand weak winds. The best outlook could be approached through adjusting the attached global valve and the nozzle lid.



JUMPING JET



Module	Specification Tex. (mm)	Outlet (mm)	Connecion Hose	Volume (m3/h)	Height (m)	Spray Distance	Weight (kg)	体积 (m3)	ADJUSTABLE WATER PATTERNS
Jumping Jet-S	H 420mm*DIA 200mm	10	DN20	2	1.5	1.5	10	0.022	In-set DMX RGB lights or single color lights for choices
Jumping Jet-M	H 600mm*DIA 260mm	16	DN40	4	2	3	15	0.054	
Jumping Jet-L	H 600mm*DIA 300mm	18	DN40	5	2.8	4	25	0.08	
Jumping Jet-XL	H 670mm*DIA 350mm	18	DN40	6	3	5	34	0.1	

Jumping jet, also named as bullet jet, can shoot pieces of water column to appointed spots. It is a fountain based on lighted jets, consequently, its water columns are also as smooth and don't split in its range, while it is much more interesting than lighted jets.



LAMINAR JET



Module	Specification Tex. (mm)	Outlet (mm)	Connecion Hose	Volume (m3/h)	Life Needed (m)	Spray Distance	Weight (kg)	Packing Volume (m3)	Spray Height (m)
Laminar Jet-S	H 250mm*DIA 168mm	10	DN20	2	4	1.5	5	0.014	1.5
Laminar Jet-M	H 400mm*DIA 219mm	16	DN40	4	10	3	12	0.04	2
Laminar Jet-L	H 400mm*DIA 273mm	18	DN40	5	12	4	18	0.05	2.8
Laminar Jet-XL	H 470mm*DIA 323mm	18	DN40	6	13	5	28	0.08	3

Laminar Jets is a special fountain equipment. Water current inside is stablized and doesn' t splash even with high pressure. The jet is stable, smooth and won' t split in its range. Another significant feature is the the colored lighted is affiliated in itself, as a result, the light can follow the whole water column to the end. In acctual operation, the jet looks like a smooth crystal pole. They are frequently arranged in groups to create an arch pattern, under which people can walk without getting themselves wet.



MIST NOZZLE



MODULE NO.	SPECIFICATION TEX.		(MPa/10)	WATER VOLUME (m3/h)	HEIGHT	COVERING AREA
	(mm)	Inch				
HML-01	15	0.5"	70-250	0.8-1.8	1.0-2.3	FOG
HML-02	20	0.75"	100-300	1.0-2.3	1.0-2.8	
HML-03	25	1"	100-400	1.2-3.0	1.0-3.2	
HML-04	40	2.5"	100-400	1.5-3.5	1.2-3.5	

Mist Nozzle produces tiny drops of water, which forms the effect of fog, decorating the space like a fairyland.



PEACOCK NOZZLE



Item Name	SPECIFICATION TEX.		(MPa)	WATER VOLUME (M3/H)	HEIGHT	ADJUSTABLE WATER PATTERNS
	(mm)	Inch				
PEACOCK NOZZLE	20	0.6"	50-70	2-4	2-3	Five Fingers
	25	1"	50-80	5-8	2-3	Six Fingers
	40	1.5"	50-15	7-10	2-3	Seven Fingers

Peacock Nozzle forms the effect of Peacock tail, with direction adjustment, it can also form a group of parabolic water cables.



SNOW-PINE NOZZLE



Item Name	SPECIFICATION TEX.		(MPa)	WATER VOLUME (M3/H)	HEIGHT	ADJUSTABLE WATER PATTERNS
	(mm)	Inch				
SNOW-PINE NOZZLE	15	0.4"	40-200	2-4	1-4	Snowpine Shape
	20	0.6"	40-200	2-4	1-4	
	25	1"	40-200	6-10	1-6	
	40	1.5"	50-330	8-20	1-8	
	50	2"	50-400	12-25	1-10	
	65	2.5"	50-428	17-40	1-12	
	80	3"	50-450	21-50	1-12	

Snow Pine Nozzle can form large water columns with air bulbs inside, which looks magnificent in the sunshine.



TRUMPET NOZZLE



Item Name	SPECIFICATION TEX.		(MPa)	WATER VOLUME (M3/H)	HEIGHT	ADJUSTABLE WATER PATTERNS
	(mm)	Inch				
TRUMPET NOZZLE	25	1"	20-35	3	0.25	Trumpet Shape
	40	1.5"	20-55	4	0.4	
	50	2"	35-70	7	0.5	
	65	2.5"	40-100	10	0.7	

Trumpet Nozzle have even water film, elegant pattern and little noise. It is usually used in indoor projects or yard pools. Both these two types can only withstand weak winds. The best outlook could be approached through adjusting the attached global valve and the nozzle lid.



WINDMILL NOZZLE



Item Name	SPECIFICATION TEX.		(MPa)	WATER VOLUME (M3/H)	HEIGHT	ADJUSTABLE WATER PATTERNS
	(mm)	Inch				
WINDMILL NOZZLE	25	1"	75	3.5	3	Windmill Shape
	40	1.5"	100	10	4	
	50	2"	150	18	6	

Windmill Nozzle is usually installed vertically to the water—surface or at a certain angle. The water lines from branch nozzles will form the shape of a windmill. Colored light will display the outmost of its charm. Revolving speed could be controlled by the inverter attached to pumps.

HSVF (HIGH SPEED VIBRATION FOG SYSTEM)

There're 2 common ways for artificial fogging. The first is to spray water drops into air current with high speed. Then the drops will be broken into tiny pieces. The method consume a large amount of energy, consequently, it is not economical enough for commercial fog-making. The other way is to evaporize water and spread it into frozen air current with low speed. This method also consumes lots of energy in the course of air-refrigerating, therefore, it is not suitable to make fog in the way at a large scale, either. HSVF artificial fog system, owing to its advanced technology, can overcome the shortcomings of the above two ways, and it can make cool, clean and healthy artificial fog at a very low energy consumption.



HSVF system mainly consists of 5 systems, and they go as follows:

1. Water treatment system:

it filtrates the impurities and floating's from water, in the meantime, KDF filter eliminates harmful elements like chlorides and heavy metal (Pb, Hg, Cr.), and the filter can be cleaned by repeated washing.

2. High pressure pump system:

it is the heart of HSVF fog system. The pump is imported world-famous product, and the pressure could be adjusted to the actually need. (Maximum pressure 14Mpa), the device has reliable operation, long using life and very little noise.

3. High pressure tube system:

both the tubes and the connectors are made of stainless steel with easy installation and reliable operation.

4. Vibration Nozzle System:

It is also a critical part. By the means of usage purpose, vibration nozzles fall into 2 types:

- a. HSVF type for seneric use, it can produce fog ranging from 2-10 um;
- b. HSVFL type for agriculture and powltry, fog ranging from 30-50um.

By the means of material, vibration nozzles are of 3 types: Rigid Stainless Steel, Carborundum and Red Gem.

5. Control System:

Control System can automatically supervise problems like the water-pressure, water-inadequacy, over-amperage and over-temperature. The control system has clock-control and it can display malfunction of the system. Based on programmed PLC, the control system is versatile and reliable.





LASER SHOW ON WATER SCREEN

Laser System is made up of Laser generator, Laser Power, Laser control and Laser water treatment device. And Multi-media computer, High-speed control system and full-color laser movies play the role of control system. The movies, words, photons are programmed with computer to accompany the rhythm. When laser is projected onto the water screen, tiny water drops scatter laser and make the whole water screen painted with marvelous colors.



LED LIGHT WITH STAINIESS STEEL COVER

The cover is made of high-quality stainless steel, which is of high intensity and fast-cooling quality. The head is made of 5mm-thick tempered glass, and there is a 12mm silicon pad between to make the whole light water-proof. (IP68) LED bulbs are imported famous brand, the electricity-light transforming efficiency is 6 times higher than conventional bulbs. LED lights are also with rich and accurate colors. The power is 24-V, which is very safe to use.



Stainless Steel LED Dry Fountain Light

Beam Angle:30 ° as Standard、 10 ° 、 60 ° 、 90 ° 、 120 ° Optional

Colour:R/Y/G/B.W/WW/RGB

Lifespan:50,000hrs

Control method:Single color、 Auto RGB color Change、 RGB 4wires color change(With remote)、 DMX512 control

Material:304 stainless steel,High light transmission tempered glass,

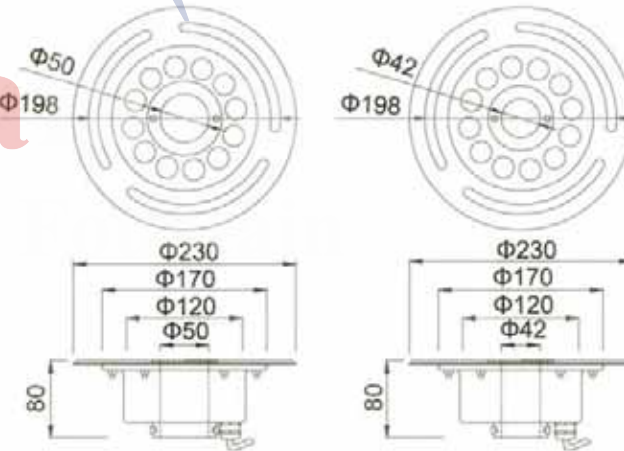
Anti-aging silicone sealing ring and with back water

Waterproof level:IP68

Rated Power:6W/9W/12W/18W/27W/36W/54W/Customized



Hima





Submersible Fountain Pump

1. Electric motor, water pump and fountain facilities are integrated together to work underwater;
2. High-tech materials are used to improve the corrosion resistance of the motor;
3. Special materials are used to prevent losing of impeller in reversing;
4. To realize leakage protection, the constant potential grounding device is adopted;
5. On the basis of common pump, and according to the requirements of fountain submersible pumps, the company has conducted many experiments, to make improvements in technology and processing materials, to make realize frequent starting of the fountain submersible pump and completely suitable for the use of music fountain;
6. Stainless steel pump boiler net cover and three phase four wire and cable are adopted;
7. High power fountain submersible pump can take the horizontal position.





Conditions of use

1. Power supply: three-phase AC power supply with frequency 50Hz, voltage 380V(allowable deviation +5% to -10%).
2. The pumps should be placed into water safely, and be completely submerged.
3. Power supply:generally none corrosive water that has a sediment concentration of not more than 0.02%, PH value of 6.5-8.5, and the water temperature of not higher than 45 .





PUMP



水泵

Pump

2. QSP、QS系列陆奥潜水泵主要性能参数表: Main parameters of QSP[®] and QS series fountain submersible pumps:

序号 Serial number	规格型号 Specifications and model	功率 Power (kW)	流量 Flow (m ³ /h)	扬程 Lift (m)	额定功率 Rated power (kW)	口径 Dia/mm (mm)	额定电压 Rated voltage (V)	绝缘 Insulation (V/kV)	最大扬程 Maximum discharge (m)	额定电压 Rated voltage (V)	高度 Height (mm)
1	QSP25-17-2.2	1	25	17	2.2	2.5	380	3800	160	6.1	560
2	QSP40-12-2.2	1	40	12	2.2	3			160	6.1	553
3	QSP65-7-2.2	1	65	7	2.2	4			184	6.1	573
4	QSP15-26-2.2	1	15	26	2.2	2			184	6.1	560
5	QSP20-20-2.2	1	20	20	2.2	2.5			180	6.1	560
6	QSP100-4.0-2.2	1	100	4.5	2.2	4			220	6.1	640
7	QSP-20-38/2-3	2	20	38	3	2.5			160	6.5	655
8	QSP25-26/2-3	2	25	26	3	2.5			160	6.5	570
9	QSP40-16-3	1	40	16	3	3			180	6.5	553
10	QSP40-18-3	1	40	18	3	3			180	6.5	553
11	QSP25-28-3	1	25	28	3	2.5			184	6.5	570
12	QSP32-20-3	1	32	20	3	3			184	6.5	575
13	QSP60-10-3	1	60	10	3	4			184	6.5	573
14	QSP10-45/3-3	3	10	45	3	1.5			180	6.5	790
15	QSP40-21-4	1	40	21	4	3			184	10.5	616
16	QSP50-18-4	1	50	18	4	3			184	10.5	616
17	QSP65-13-4	1	65	13	4	4			184	10.5	620
18	QSP30-36/2-4	2	30	36	4	2.5			160	10.5	740
19	QSP25-31/2-4	2	25	31	4	2.5			160	10.5	740
20	QSP25-34/2-4	2	25	34	4	2.5			160	10.5	740
21	QSP30-30/2-4	2	30	30	4	2.5			160	10.5	740
22	QSP30-40/2-4.5	2	30	40	4	2.5			170	10.5	740
23	QSP15-52/3-4	3	15	52	4	2.5			220	10.5	800
24	QSP120-10-5.5	1	120	10	5.5	6			220	13.4	668
25	QSP160-8-5.5	1	160	8	5.5	6			220	13.4	660
26	QSP220-5-5.5	1	220	5	5.5	6			210	13.4	720
27	QSP40-20-5.5	1	40	20	5.5	4			210	13.4	636
28	QSP65-18-5.5	1	65	18	5.5	4			210	13.4	636

水泵

Pump

序号 Serial number	规格型号 Specifications and model	功率 Power (kW)	流量 Flow (m ³ /h)	扬程 Lift (m)	额定功率 Rated power (kW)	口径 Dia/mm (mm)	额定电压 Rated voltage (V)	绝缘 Insulation (V/kV)	最大扬程 Maximum discharge (m)	额定电压 Rated voltage (V)	高度 Height (mm)
29	QSP40-28-5.5	1	40	28	5.5	3	380	3800	210	13.4	636
30	QSP40-26-5.5	1	40	26	5.5	3			210	13.4	636
31	QSP50-24-5.5	1	50	24	5.5	4			210	13.4	636
32	QSP40-30/2-5.5	2	40	30	5.5	3			184	13.4	730
33	QSP30-36/2-5.5	2	30	36	5.5	3			184	13.4	730
34	QSP30-38/2-5.5	2	30	38	5.5	3			184	13.4	750
35	QSP30-40/2-5.5	2	30	40	5.5	3			184	13.4	750
36	QSP25-44/2-5.5	2	25	44	5.5	3			184	13.4	750
37	QSP40-30/2-5.5	2	40	30	5.5	3			170	13.4	750
38	QSP30-40/2-5.5	2	30	40	5.5	3			170	13.4	750
39	QSP20-50/3-5.5	3	20	50	5.5	2.5			184	13.4	836
40	QSP20-50/3-5.5	3	20	50	5.5	2.5			170	13.4	836
41	QSP30-40/3-5.5	3	30	40	5.5	3			170	13.4	920
42	QSP18-65/4-5.5	4	15	65	5.5	2.5			170	13.4	858
43	QSP60-25-7.5	1	60	25	7.5	2.5			210	18.6	696
44	QSP80-22-7.5	1	80	22	7.5	3			210	18.6	696
45	QSP100-18-7.5	1	100	15	7.5	4			210	18.6	696
46	QSP60-22/2-7.5	2	60	22	7.5	2			184	18.6	910
47	QSP40-40/2-7.5	2	40	40	7.5	2.5			184	18.6	825
48	QSP50-36/3-7.5	2	50	32	7.5	4			184	18.6	968
49	QSP25-56/3-7.5	3	25	56	7.5	2.5			184	18.6	910
50	QSP50-36/3-7.5	3	50	39	7.5	2.5			184	18.6	968
51	QSP100-18/2-7.5	2	100	18	7.5	3			220	18.6	930
52	QSP20-75/3-7.5	3	20	75	7.5	3			184	18.6	928
53	QSP210-10	1	210	10	9.2	2.5			210	22.7	723
54	QSP120-10	2	120	10	9.2	3			210	22.7	900
55	QSP80-33	3	80	33	11	4			210	26.8	1118

注: 大功率陆奥潜水泵型号未列入此表

Note: models of horizontal high power fountain pumps are not included in this table.



MUSIC FOUNTAIN CONTROL SYSTEM

The Music Fountain employs a kind of on-spot industrial control system that incorporates the latest advanced scientific technologies prevailing around the world, including music control, programmable control and intelligent control technologies.

The master control system of the music fountain consisting of multi-media industrial computers, is capable to recognize the melody, rhythm, volume and frequency of the music pieces and realize the real-time control of the whole system and the synchronization of water and music. It is set up with the convenient operation interfaces and has the function of programming music tracks.

There are three kinds of MF control systems: centralized control, on-spot bus control and network bus control.





NETWORK BUS CONTROL SYSTEM

Network Bus Control System has a fundamental improvement in performance compared with On-spot Bus Control System though they are quite similar in structure. a. Network Bus Control is a completely distributed system. It speeds up the electrical system and satisfies the real-time control need of music fountains. Also, it runs more stable. b. It can support the bus control structure, radiated structure as well as the mixed ones. c. The main difference between Network Bus Control and Local Bus Control is that the former employs a special network operation system to ensure the operation of all equipment around the network. d. The commissioning and maintenance of the electrical system are more convenient.





PROGRAMMABLE FOUNTAIN

The control system of the programmable fountain uses the timing routine to control the change of water patterns. The pumps can be either controlled by switches or by variable frequency drive. When there are color lights to illuminate the water, that's the so-called "Colored Programmable Fountain".





SPECIAL FOUNTAINS



Entertainment fountain, waterfalls, super-high fountain and other specialty fountains as well all need special control system.





MUSIC FOUNTAIN CONTROL CABINET

Music Fountain Control Cabinet adopts special power system for music fountain, which meets the demands better. Fountain cabinets allocate power circuit for each water pattern in accordance with the actual power allocation and equipment type. All cabinets are GGD standard products with certificates from authorities. The electrical appliances are world-famous brands like "Schneider" and "Siemens". The system will be equipped with protection device for over-voltage, over-amperage, Volt-shortage, phase-fault and short-circuit, which guarantees the system's reliable and safe operation.





MAIN PIPE



The fountain main pipes are with stainless steel 304 material, which has good corrosion resistance, heat resistance, low temperature resistance and mechanical properties. Punching, bending and hot workability is good, no heat treatment hardening phenomenon. High quality makes a longer using life of the fountain pipe system.

Material	Size(mm)	Thickness(mm)	Max. Pressure
Stainless steel 304	DN 65/80/100/Customized	2.5-3.0	12 MPa



BRANCH PIPE



The fountain branch pipes are with stainless steel 304 material and has got male thread head, which is easy for installation. Have good corrosion resistance, heat resistance, low temperature resistance and mechanical properties. Punching, bending and hot workability is good, no heat treatment hardening phenomenon. High quality makes a longer using life of the fountain pipe system.

Material	Size(mm)	Thickness(mm)	Max. Pressure
Stainless steel 304	DN 20/25/32/40/50 Customized	2.0-2.5	10 MPa



CHASING JETS



Made up of many current nozzles, each nozzle installed with one digital solenoid valve, Chasing jets can be controlled by computer software and controlling chips to create various patterns and effects. It is a necessary component of large fountains. One or two groups of chasing jets can also be a fountain themselves.



DIGITAL SWING FOUNTAIN



Digital swing nozzle is a device that precisely transform the digital pulse signal sent out by the control system into the installation by the specialized precision mechanism, which can make the nozzle swing, rotate at a certain angle. The movement angle and speed of digital swing nozzle can be controlled by the digital control system. Digital swing nozzle has the advantages of large output torque, digital control system, precise movement, which is mainly suitable for waterscape of music fountain.



FLYING SAUCER



Flying Saucer is made up of many nozzles installed on a round pipe. It is motivated by subwater motor and gear box. Flying Saucer can move outward and inward with the same pace to create a pattern of UFO, it can also be divided into groups and swing with time sequence to form a blossoming rose. The effect is rich and imposing and it is one of the most—frequently—used patterns.



HORIZONTAL SWING GROUP

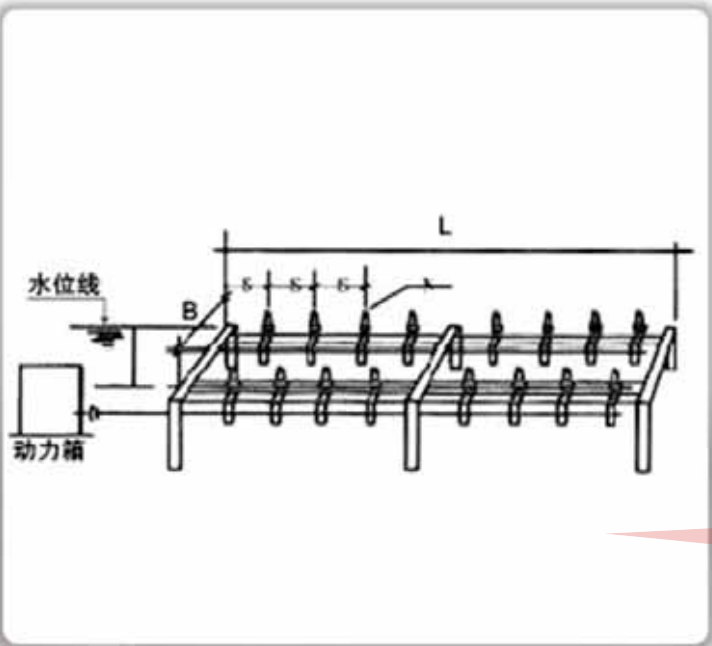


Install many pieces of current nozzles onto the pipe, arrange the pipes into groups (rows) . With subwater motor and gear system connected, the nozzles can swing horizontally. The swing pace and height can be shifted by the control system.

MODULE NO.	SPECIFICATION		Distance Between	Total Width	PC/GROUP	NEEDED WATER DEPTH	REMARK
	(mm)	Inch					
HCN-01	40	1.5"	1.5-2.5	1.0-3.0	12	0.6	Design to actual Need.
HCN-02	50	2"	1.5—3.5	1.0-3.0	15	0.6	



VERTICAL SWAYING GROUP



MODULE NO.	(Mpa/10)	Distance Between		Total Length	Total Width	NEEDED WATER DEPTH	REMARK
		S1	S2				
HCN-01	1 row	0.2	0.25	6.0-12	0.3-0.5	0.6	50-80
HCN-02	2 row	0.2	0.25	6.0-12	0.3-0.5	0.6	55-75

Install one or two groups of current nozzles onto the pipe with even distance between. With subwater motor and gear system connected, the nozzles can swing vertically with the same pace. The size of this item is usually designed to the actual pool.



DIGITAL WATER CURTAIN



- Main Functions :
1. Running : Water run and chase with the music, forming tens of water patterns.
 2. Graphic & Text : Logo, text, graphic and pattern are able to be printed on the water curtain by pre-programmed in the control system.
 3. Musical Synchronisation : The patterns on water curtain can form dynamic effects synchronized with music under the colored lighting.



LESER SHOW ON WATER SCREEN



Laser System is made up of Laser generator, Laser Power, Laser control and Laser water treatment device. And Multi-media computer, High-speed control system and full-color laser movies play the role of control system. The movies, words, photoes are programed with computer to accompanly the rythm. When laser is projected onto the water screen, tiny water drops scatter laser and make the whole water screen painted with marvelous colors.



WATER SCREEN MOVIE



Water Screen Movie System consists of water screen generator and projector. The water screen is usually 20-meter high and 30-50 meters long. Various kinds of video-Asks can be displayed on water screen. At nighttime, the screen will melt into the darkness, and the characters in movie look as if they fly from the sky or group up from under the water onto water-screen, which is very attractive, Interesting and mysterious.



WATER SCREEN GENERATOR



Specification	Screen Length	(m3/hr) Flow Vol.	(KW) POWER
DN 100	25	160	30
DN 125	30	200	60
DN 150	35	240	90
DN 180	45	240	165
DN 200	50	240	225
DN 219	60	320	300
DN 250	70	400	360
DN 273	80	480	450

Water Screen Generator creates huge fan-shaped water-screen, which goes to 40-80 meters long. In combination with laser generator and projector, people can get magnificent colored photos, words or movies.



CERTIFICATES



Institutional Credit Code



Exportation License



Fountain Industry Class-A License



Company License



Trademark License



Member License Of Fountain Committee

Hima



Himalaya
Music Fountain


Thank You!


Himalaya
Music Fountain



No.20, Electrix Road, Muyun
Industrial Zone, Changsha,
China



 86-731-88295066

 86-731-88295050

 frank@chinamusicfountain.com